

Taylor Company Clamshell Grill

Models 11, 12, 13, 14, 15, 15E, 16, 22E, 32, 34, 35, 36, 38, C832, C834, C835, C842, C844, & C845

Daily maintenance task

GR 1 D1 Clean grill

Weekly maintenance task

GR 1 W1 Clean area
behind grill and
rear of grill

Monthly maintenance task

GR 1 M1 Calibrate grill
heat zones

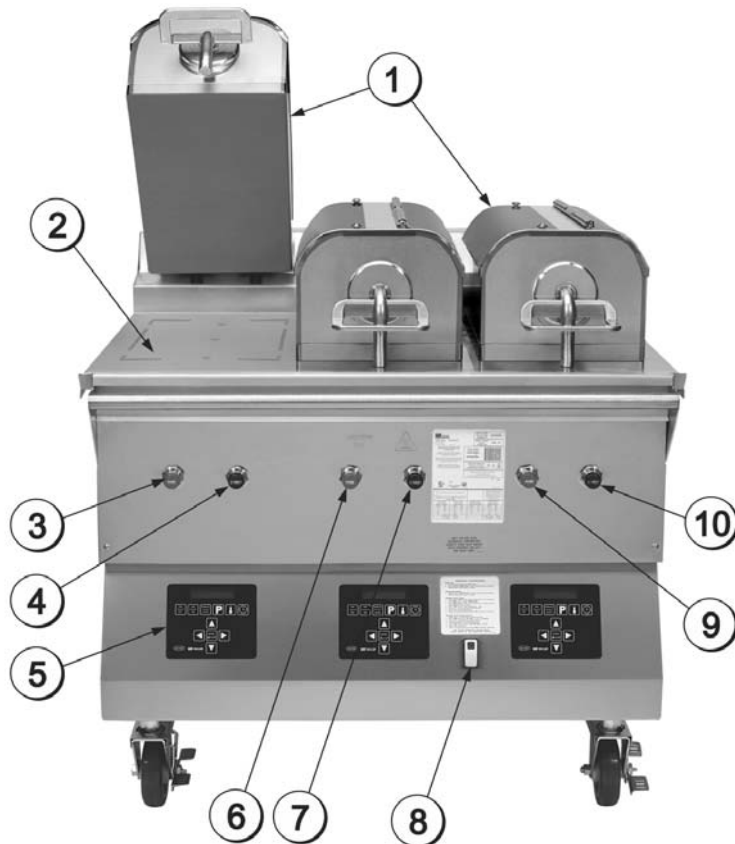
Semi-annual maintenance task

GR 1 S1 Inspect cleaned
grill stacks

Annual maintenance task

GR 1 A1-T Certify grill

Model C842



- | | |
|-----------------------|-------------------------|
| 1. Upper Platens | 6. Raise Button |
| 2. Lower Cook Surface | 7. Standby Button |
| 3. Raise Button | 8. Fan Interlock Switch |
| 4. Standby Button | 9. Raise Button |
| 5. Grill Control | 10. Standby Button |

⚠ Hazards

These icons alert you to a possible risk of personal injury.

🔧 Equipment alerts

Look for this icon to find information about how to avoid damaging the equipment while doing a procedure.

★ Tips

Look for this icon to find helpful tips about how to do a procedure.