

# Taylor Company Clamshell Grill

Models 11, 12, 13, 14, 15, 15E, 16, 22E, 32, 34, 35, 36, 38, C832, C834, C835, C836, C838, C842, C844, & C845

## Daily maintenance task

GR 1 D1 Clean grill

## Weekly maintenance task

GR 1 W1 Clean area  
behind grill and  
rear of grill

## Monthly maintenance task

GR 1 M1 Calibrate grill  
heat zones

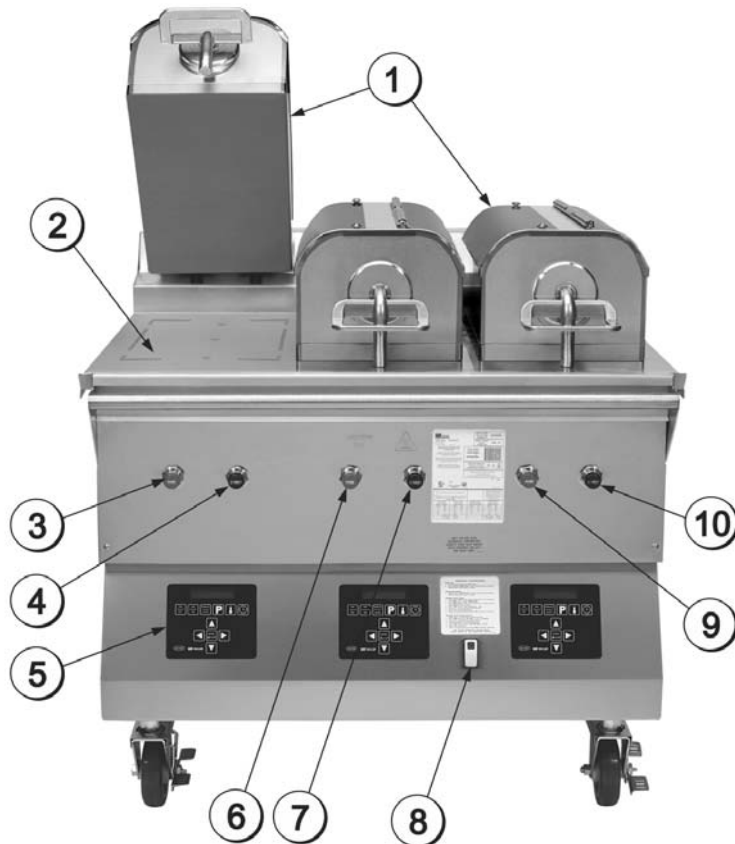
## Semi-annual maintenance task

GR 1 S1 Inspect cleaned  
grill stacks

## Annual maintenance task

GR 1 A1-T Certify grill

Model C842



- |                       |                         |
|-----------------------|-------------------------|
| 1. Upper Platens      | 6. Raise Button         |
| 2. Lower Cook Surface | 7. Standby Button       |
| 3. Raise Button       | 8. Fan Interlock Switch |
| 4. Standby Button     | 9. Raise Button         |
| 5. Grill Control      | 10. Standby Button      |

## ⚠ Hazards

These icons alert you to a possible risk of personal injury.

## ▨ Equipment alerts

Look for this icon to find information about how to avoid damaging the equipment while doing a procedure.

## ★ Tips

Look for this icon to find helpful tips about how to do a procedure.