

TAYLOR TIPS



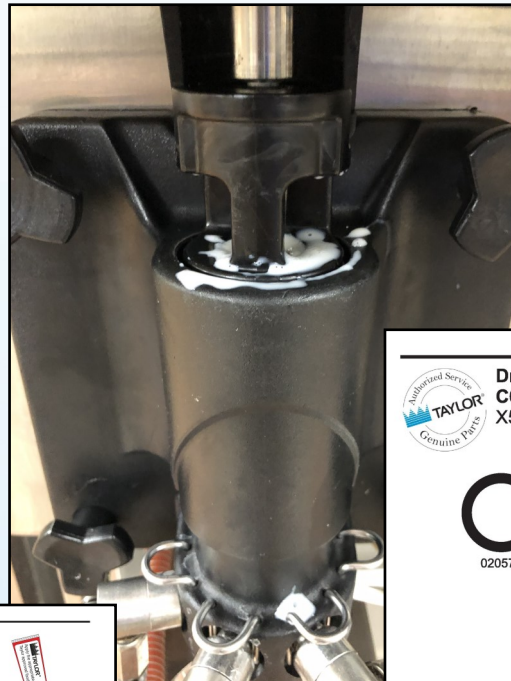
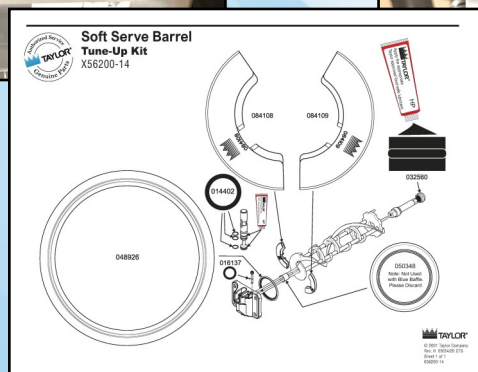
Quarterly Tune-up Kits

To help ensure the Shake/Sundae machine will be ready to serve your customers, install a new tune-up kit quarterly. Just like changing the oil in your automobile, preventive maintenance is necessary to maintain your equipment to its highest level of operation and efficiency for your customers and crew. In addition, preventative maintenance reduces costly repairs and equipment downtime.

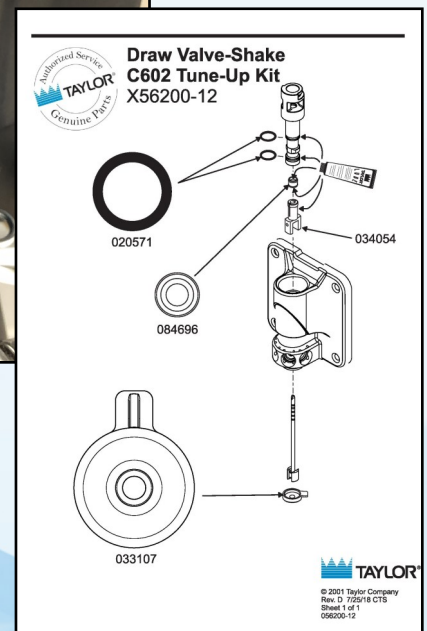
Contact your local Taylor distributor to enroll in a tune-up kit auto-ship program.



This is what happens when you don't replace the boot seal quarterly or apply enough lube during cleaning cycles.



This is what happens when you don't clean and lubricate the spinner shaft seal properly during cleaning cycles and replace quarterly.



Scan the QR code for related PM Cards

